

Switch level floats

NIVOSTOP - SS2 / KW - SS2 / W



- Potential-free micro-switch, Changeover contact
- High switching rating
- Easy to install
- Neutral fluid, alkaline or acid version
- Oil version

APPLICATIONS

For use as a fill-level switch in wastewater pumping systems, industrial water tanks, rain water collection systems etc.
To control any low and high level for liquids in all industries.

SPECIFIC FEATURES

The floats are moulded in polyethylene. The body is welded therefore perfectly tight. A micro-switch is used in conjunction with a balancing mass. It has a high switching power. The switch operates when the float pass across the horizontal axis. The standard cable is highly flexible (PVC with additives) accepts neutral, alkaline or lightly acid media. The oil version cable is of special PVC. The acid version cable (HCl 33%, HNO₃, etc.) is polyethylene coated.

SS2 / W: cigar shaped, convenient for all clear fluids without sludge, (specific weight ≥ 1 kg/L).

SS2 / KW: the pear-shaped float switch is convenient for viscous media and wastewater pumping systems with residual paper content, presence of sludge, etc. (specific weight ≥ 1 kg/L).

SS2 / WH: oil version, mainly for liquids with a specific weight ≥ 0.9 kg/L .

TECHNICAL FEATURES

Specific weight: ≥ 0.9 kg/L (SS2 / WH); ≥ 1 kg/L (SS2 / W and SS2 / KW)
Switch: Potential-free micro-switch, changeover contact
Switching limits: 4 to 250 V AC / 4 to 30 V DC

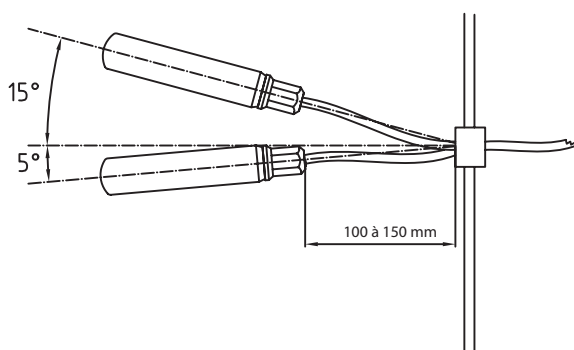
Caution: legal disposition
When $U > 50$ V, the tank (fluid) has to be connected to earth otherwise the electrical loop has to be powered with a low potential current.

Switching power: 1 mA to 3 A / DC or AC

Maximum temperature: 0...+60°C
Maximum pressure: 0.5 bar (depth immersion < 5 m)
Float: PE (polyethylene)

Cables

Acid version: 3 x 0.5 mm², PVC, PE coated, TPR seal
Oil version: 3 x 0.75 mm², PVC, NBR seal
Standard: 3 x 0.5 mm², PVC with additives (flexible: TPK), TPR seal



BAMO MESURES

22, Rue de la Voie des Bans - Z.I. de la Gare - 95100 ARGENTEUIL
Tél : (+33) 01 30 25 83 20 - Web : www.bamo.fr
Fax : (+33) 01 34 10 16 05 - E-mail : info@bamo.fr

Switch level floats
NIVOSTOP
SS2 / KW - SS2 / W

NIV

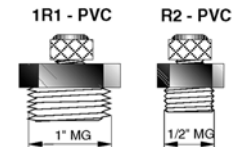
520-01/1

CODE NUMBERS AND REFERENCES

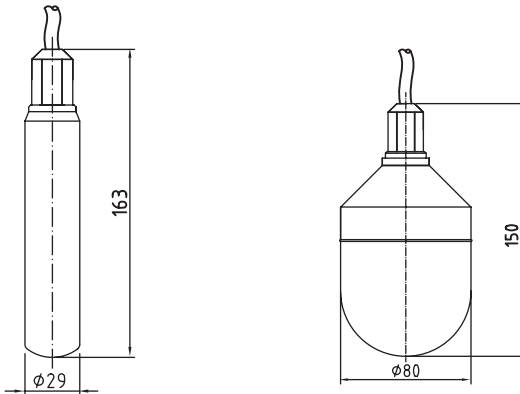
Code SS2 / W... ;	Cigar shaped	Code SS2 / KW... ;	Pear shaped	Cable length	Version	Cable type
520 802	SS2 W 2	-		2 m	Standard	TPK
520 805	SS2 W 5	520 810	SS2 KW 5	5 m	Standard	TPK
520 808	SS2 W 10	520 815	SS2 KW 10	10 m	Standard	TPK
520 830	SS2 WA 2	520 832	SS2 KWA 2	2 m	Acid	PE
520 834	SS2 WA 5	520 835	SS2 KWA 5	5 m	Acid	PE
520 837	SS2 WA 10	520 838	SS2 KWA 10	10 m	Acid	PE
520 840	SS2 WH 2	-		2 m	Oil	PVC (special)
520 845	SS2 WH 5	-		5 m	Oil	PVC (special)

Fittings accessories

Code	Reference	Model	Material
520 500	1R1-PVC	BSP 1"	PVC
520 510	R2 -PVC	BSP 1/2"	PVC
520 600	CE 100	Blocking nut, BSP 1"	PPH
520 610	CE 12	Blocking nut, BSP 1/2"	PPH
520 901	175 g ballast	For W and WH cable	Composite
520 902	250 g ballast	For WA cable	Composite



DIMENSIONS



WIRING

Version	NO	Common	NC
Standard	Brown	Black	Blue
Acid	Brown	Black	Blue
Oil	Brown	Black	Blue

**Example: when float is in its lower position
(fluid less), low level**

Brown: On
Black: Common
Blue: Off

MOUNTING

The device should be fixed over the tank or any tank flange, non-wetted part with a secured fitting. For this and to assure a reliable point of control without damaging the cable, we propose the fitting connections in BSP 1" or 1/2".

If the float is suspended freely, directly from the top of the tank, be sure it cannot be damaged by an agitator, turbulences, etc.

If the float is fixed on an immersion stem, the free cable part should be long enough to keep the float moving freely (a minimum of 50 mm is necessary).

In any case, the float should operate in a quiet zone with a minimum of waves not to have incessant switching.

The switch point lieu is around the horizontal axis (see the drawing).

Adjust the cable length, filling the tank up to the switching level desired and confirming the contact change with an Ohm-metre.

Check if the switching power does correspond to the power of the device you wish to switch on/off.

For pumps or motors, it is necessary to go through a high power relay.

STOCKING

Please take care that the cable end never touches the water and is protected from humidity

BAMO MESURES

22, Rue de la Voie des Bans - Z.I. de la Gare - 95100 ARGENTEUIL
Tél : (+33) 01 30 25 83 20 - Web : www.bamo.fr
Fax : (+33) 01 34 10 16 05 - E-mail : info@bamo.fr

Switch level floats
NIVOSTOP
SS2 / KW - SS2 / W

NIV

520-01/2

10-00-2007

52011 01 J